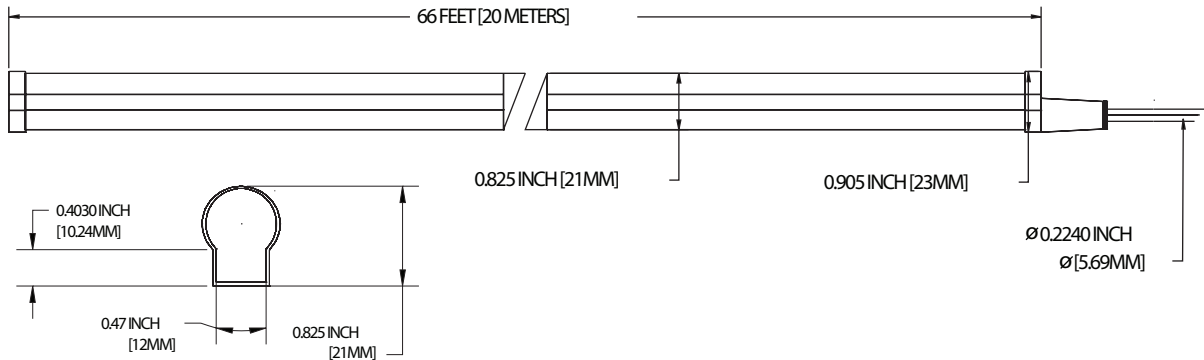




Flexible LED Thin Neon 24 Volt DC Blue



BASIC PRODUCT INFORMATION

Description	Thin neon tube light alternative, bendable and cuttable polymeric tube encased LED strip light, Blue	Width (inches)	0.47"	Width (metric)	12mm
Suggested Mounting Method	<ul style="list-style-type: none"> • Install into linear aluminum or plastic channel • See 'Parts & Accessories' for additional required parts based on application 	Length (inches)	30 ft. / roll	Length (metric)	9m / roll
Features	<ul style="list-style-type: none"> • LED spacing (center to center) 0.5" (12.7mm) • Cuttable where indicated on bottom, 12 LEDs per section • Sold by the foot, 30 feet / roll (9m / roll) • 24 LEDs / foot, 1200 LEDs / roll • The polymeric tube blends the LED's light output creating the neon-like appearance • Sturdy, durable, flexible, and capable of with-standing shocks unlike traditional glass neon tube 	Height (inches)	0.825"	Height (metric)	21mm
		Weight (lbs.)	3.2 oz. / ft.	Weight (kg)	27.64g / m
		Parts & Accessories	<ul style="list-style-type: none"> • #FNTCON - FlexNeon Thin PVC Connector • #FNTCAP - FlexNeon Thin PVC End Cap • #FNTPC - FlexNeon Thin Power Cable, 12" cord no plug • #FNTPCON - FlexNeon Thin Power Connector, 4-pin • #FNTPLCHNL - FlexNeon Thin Plastic Channel (sold/ft.) • #FNTALCHNL - FlexNeon Thin Aluminum Channel (sold/ft.) 		

SPECIFICATIONS

Operating Voltage	24 Volts DC
Power Consumption	2.01 Watt / linear ft.
Max. Run Length	30 ft. (9.14m)
Protection Rating	IP66
Relative Humidity	Wet & Dry
Cooling	Convection
Operating Temperature	-40°C to 70°C
Color Wavelength	465~475 nm
Bin Tolerance	+/- 30 nm (tighter binning available upon request)
Beam Angle Adjustment	N/A
LED Beam Angle	Omni-directional
Additional Notes	• Rated for wet application, but it is not submersible