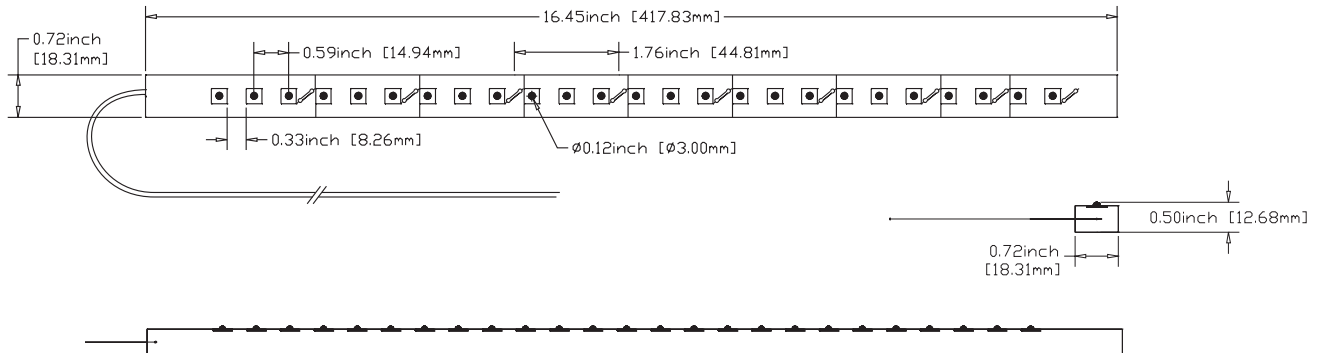




Striplyte™ 25 LED 12 Volt DC White 5500K



BASIC PRODUCT INFORMATION

Description	Rigid resin encased strip light 12 Volt DC 25 LED, White 5500K	Width (inches)	0.72"	Width (metric)	18.288mm
Suggested Mounting Method	<ul style="list-style-type: none"> • Double sided tape or Velcro • Gardner bender staple • Tilttable standoffs 	Length (inches)	16.45"	Length (metric)	418mm
Features	<ul style="list-style-type: none"> • LED spacing (center to center) 0.568" (14.42mm) • 6ft. bare tinned leads • Cuttable after each resistor 	Height (inches)	0.501"	Height (metric)	12.725mm
		Weight (lbs.)	4.3 oz.	Weight (kg)	121.9 g
		Parts & Accessories	<ul style="list-style-type: none"> • #STLPST - Striplyte Tilttable Stand • #LEDDRV5 - LED Driver 5 Amp • #LH4C6L - Light Harness • #BATHARN - Battery Harness 		

SPECIFICATIONS

Operating Voltage	12 Volts DC, 0.171A
Power Consumption	2.05 Watt
Protection Rating	IP65
Relative Humidity	Wet & Dry
Cooling	Convection
Operating Temperature	-40°C to 70°C
Color Temperature	5500K
Bin Tolerance	+/- 500K (tighter binning available upon request)
Beam Angle Adjustment	180°, when used with Tilttable standoffs
LED Beam Angle	50°
Additional Notes	<ul style="list-style-type: none"> • Can be made IP67 or submersible if connection leads are sealed and kept away from liquid. • Cutting interval is not constant, the last 4 LEDs are separated by 2 resistors. After cutting, use silicone to seal the cut end. Reference cutting instructions for further detail.

ILLUMINANCE CHART

